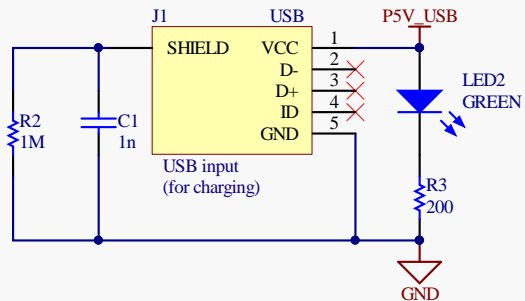
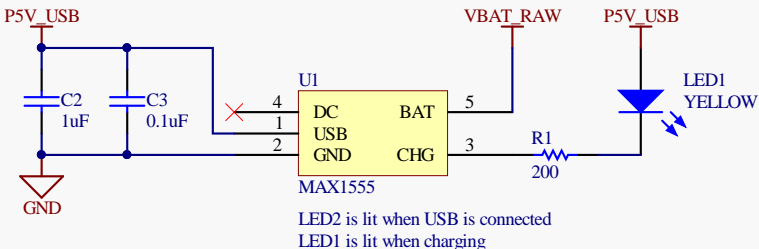


USB power input



LiPo battery charging

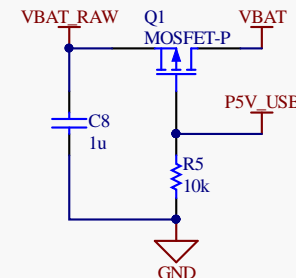


Moon Jar (rev C)
September 2018

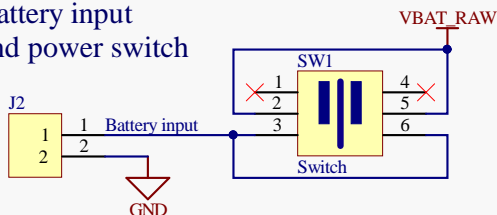
Matthew Keeter mattkeeter.com
matt.j.keeter@gmail.com

High-side switch

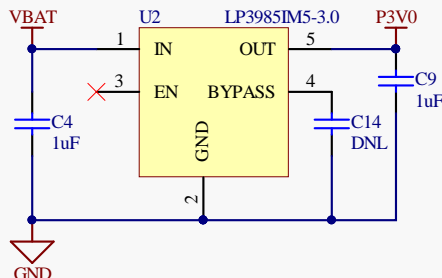
Disconnects battery from the rest of the system when charging.



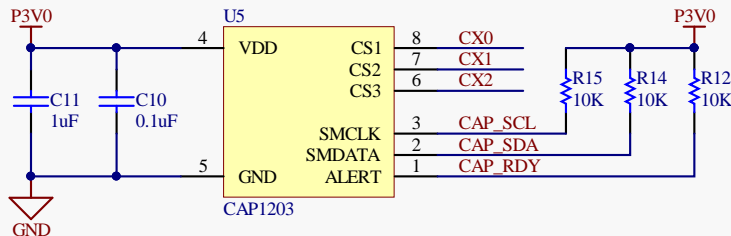
Battery input and power switch



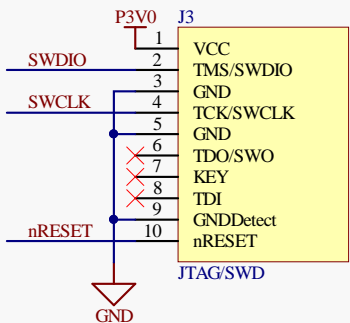
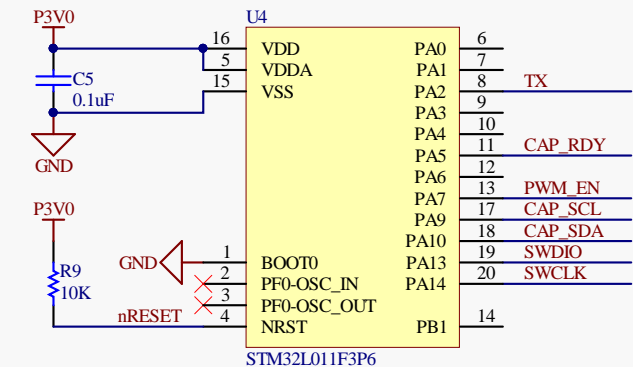
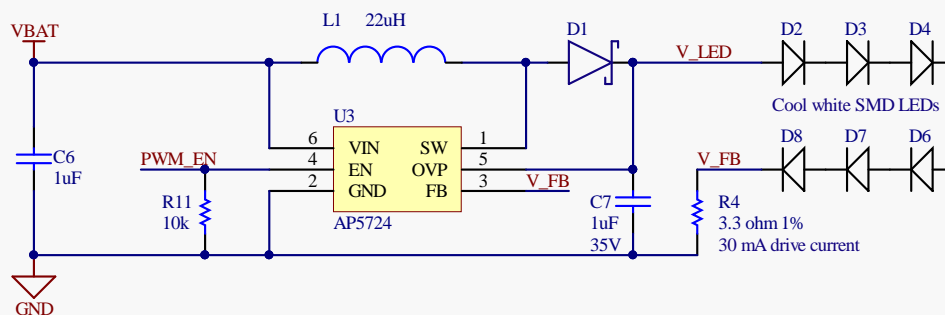
Main voltage regulator



Touch-sensing buttons



LED driver



Microcontroller and programming header